

 Konfurb



Konfurb Hady
Chair

performancefurnishings.com

 **PERFORMANCE**
FURNISHINGS

Konfurb Hady Chair

Comfortable and stylish, the Konfurb Hady is perfect for drop down seating in your home office, in waiting areas, healthcare or aged care visitor rooms. Available in three different base options to suit your home, workplace or interior fit-out.

Key Features & Benefits.

Hady Chair

4 Leg Wood Base

X Sled Base

4 Star Base (castors or glides)

77560GREY4111_77088NATURAL

77560GREY4111-29091BLACK

77560GREY4111-29181BLACK



X SLED BASE



4 STAR BASE
Castors



4 STAR BASE
Glides



KEYLARGO, ASH
Hard-wearing upholstery

4 LEG WOOD BASE
or other base options

COMFORTABLE SEAT
Featuring high density
soft pile foam

International Standards.

The Konfurb Hady chair is supported by the following Internationally recognized standards:

- **GREENGUARD Gold** certification
- Tested to **ANSI/BIFMA x5.1-2011** General-Purpose Office Chair

Fabric Meterage.

1.64yd/1.5m wide

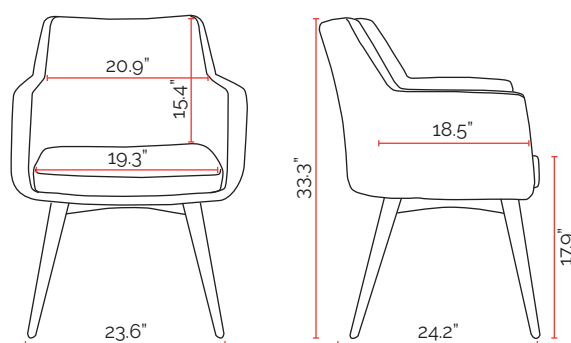
Hady	(yards)	(m)
one colour	2.19	2.0
whole shell	1.53	1.4
outer shell	0.82	0.75
inner shell	0.93	0.85
seat pad	0.66	0.6

Features.

- High density soft pile foam (meets CAL 117 Section A Part I & Section D Part II)
- Hard wearing Keylargo, Ash upholstery
- Three strong base options: 4 Leg Wood, Black Powdercoated Steel X Sled or 4 Star with glides or castors

Specifications.

	(inches)	(mm)
Back	20.9w / 15.4h	530w / 390h
Seat	19.3w / 18.5d	490w / 470d
4 Leg Wood Base		
Seat Height	17.9h	455h
Overall	23.6w / 24.2d / 33.3h	600w / 615d / 845h
X Sled Base		
Seat Height	17.7h	450h
Overall	23.6w / 23.2d / 30.3h	600w / 590d / 770h
4 Star Base (Glides)		
Seat Height	16.9-20.6h	428-523h
Overall	26.0w / 23.2d / 29.1-33.0h	660w / 590d / 738-838h
4 Star Base (Castors)		
Seat Height	18.3-22.0h	465-560h
Overall	26.0w / 23.2d / 31.5-34.5h	660w / 590d / 775-875h



Quality Assurance and Accreditations.



 Konfurb