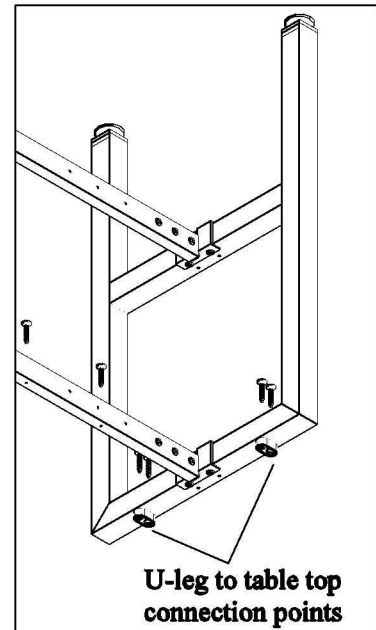


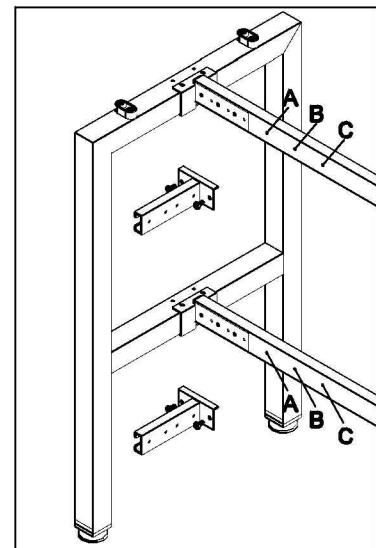
4. Turn leg assembly upside down and lay it on table top. Use 20mm wood screws to attach u-legs and support beam to table top.

5. Turn assembled table right side up.



IF ADDING A DESK RETURN:

6. Attach CBBs to main desk beams with M6 x 16 mm bolts. For 24" returns, attach CBBs at holes A & B. For 30" returns, attach CBBs at holes B & C.

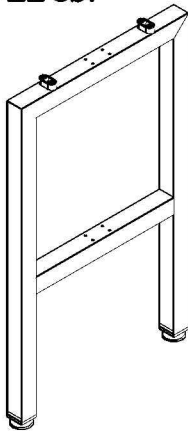


7. Attach CBBs to the return u-leg as shown in step 2, then attach the return support beam to CBBs as shown in step 3.

8. Attach the return top to the return leg assembly with 20 mm wood screws.

REQUIRED COMPONENTS:

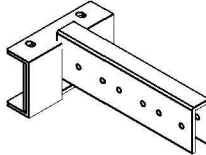
2 x U-LEGS:




Included Hardware

	Wood Screw x 20 mm	8 pcs
---	-------------------------------	--------------

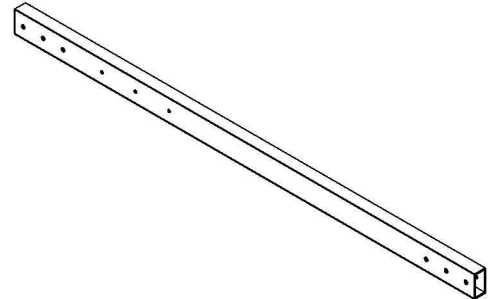
**4 x Connector Beam Brackets (CBB):
(sold separately)**





Included Hardware

	Bolts M6 x 16 mm	16 pcs
---	-----------------------------	---------------

**2 x Support Beams:
(sold separately)**



Included Hardware

	Wood Screw x 20 mm	30 pcs
	Bolts M6 x 12 mm	20 pcs

ASSEMBLY FOR DESK:

- 1. Place table top upside down on clean surface .**
- 2. Attach CBBs to upper and lower cross beams of u-legs with M6 x 16 mm bolts .**
- 3. Slide cross beams over CBB ends and attach with M6 x 12 mm bolts.**

