



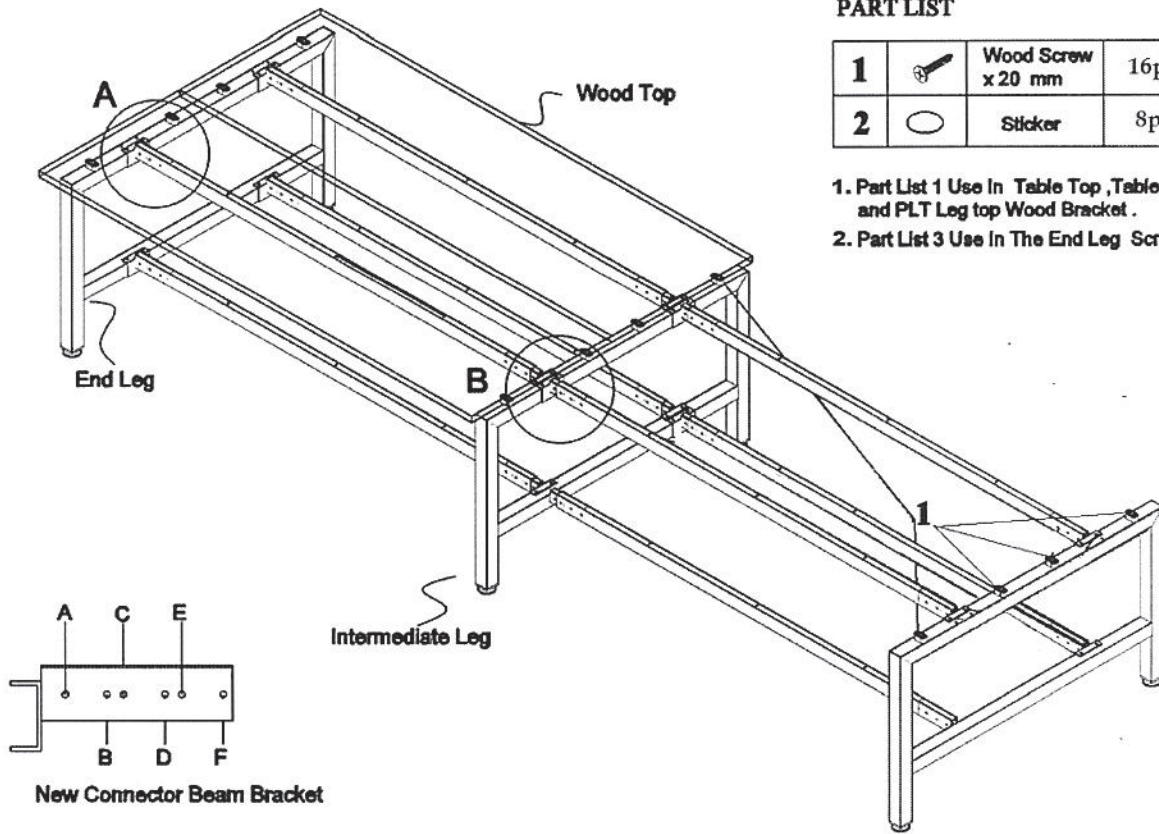
ASSEMBLY INSTRUCTION

PLTLEG-U-48NB / 60NB 41H

PART LIST

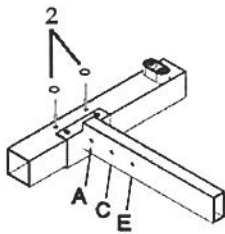
1		Wood Screw x 20 mm	16pcs
2		Sticker	8pcs

1. Part List 1 Use In Table Top ,Table Beam and PLT Leg top Wood Bracket .
2. Part List 3 Use In The End Leg Screw Hole .



A. USE PART LIST ITEM 2

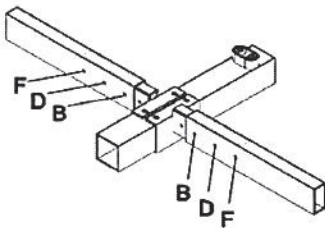
END LEG CONNECTION



- Please Use A , C And E Hole .
- Stick In The End Leg Screw Hole .

B. USE PART LIST ITEM 2

INTERMEDIATE LEG CONNECTION



- Please Use B , D And F Hole .