



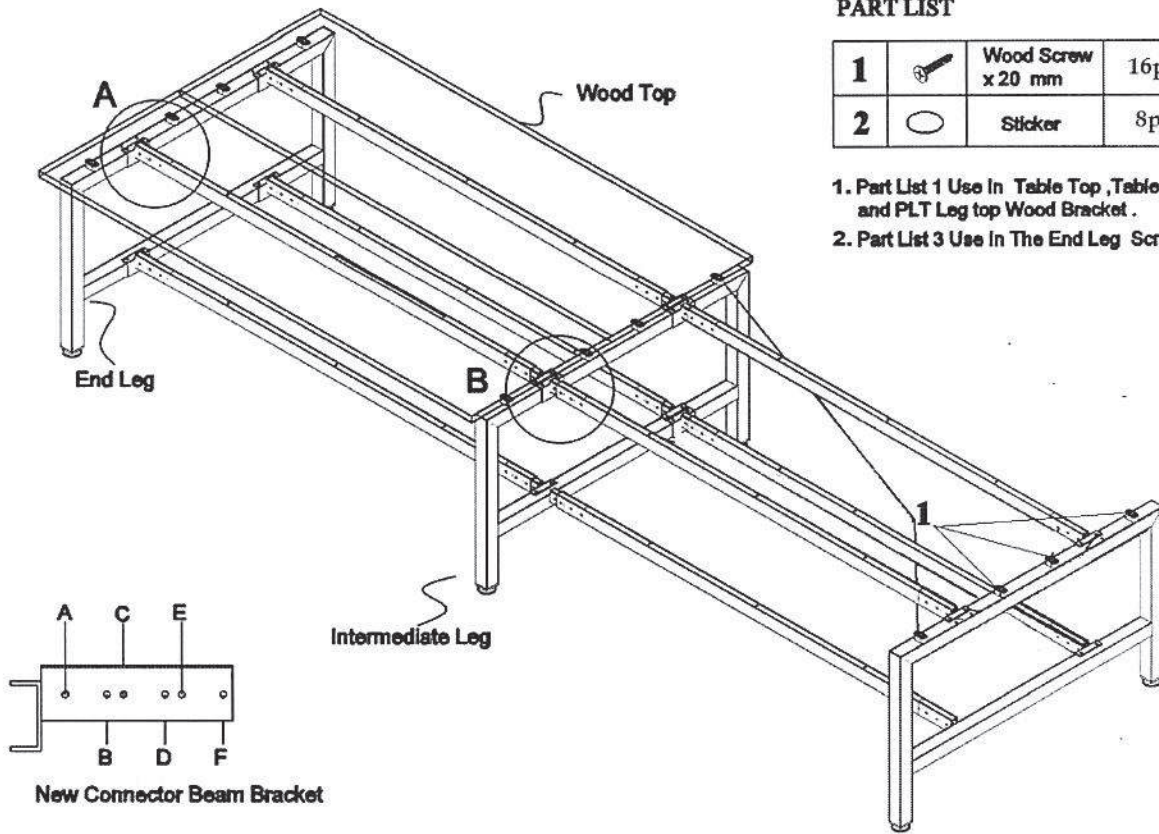
**ASSEMBLY INSTRUCTION**

PLTLEG-U-48NB / 60NB 41H

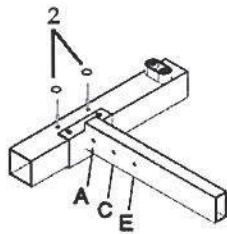
**PART LIST**

<b>1</b>		Wood Screw x 20 mm	16pcs
<b>2</b>		Sticker	8pcs

1. Part List 1 Use In Table Top ,Table Beam and PLT Leg top Wood Bracket .
2. Part List 3 Use In The End Leg Screw Hole .



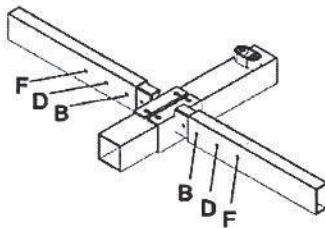
**A. USE PART LIST ITEM 2**



**END LEG CONNECTION**

- Please Use A , C And E Hole .
- Stick In The End Leg Screw Hole .

**B. USE PART LIST ITEM 2**



**INTERMEDIATE LEG CONNECTION**

- Please Use B , D And F Hole .