




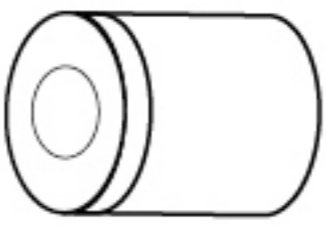





210X297MM



ASSEMBLY INSTRUCTIONS GBM1769WHITE-A1

Glass board Installation instructions for wall

Thank you for purchasing the Magnetic Glass Board from Performance Office Furnishings.
Before assembly, please remove all parts from the carton and verify that you have correct quantities.

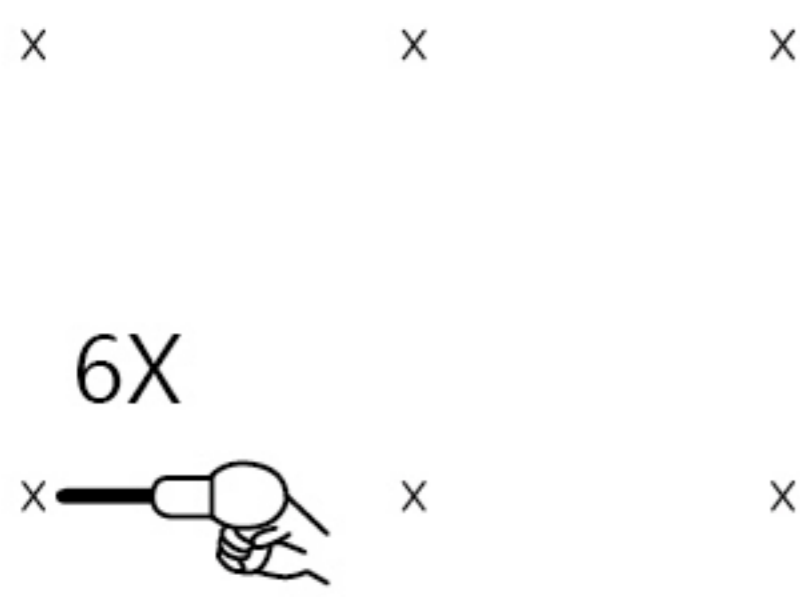
A  X 1	B  X 6 drywall anchor(30mm) <small>(extra 2pcs as spare)</small>	C  X 6 screws(M4*40mm)
D  X 6 spacer base(ϕ 18*h23mm)	E  X 6 screws(5/16"*30mm)	F  X 12 plastic washer(ϕ 16mm)
G  X 6 plastic sleeve(ϕ 10mm)	H  X 6 spacer bolt(ϕ 18*h10mm)	I  X 1 pen tray(450mm)

1 ATTENTION:
Drill size 15/64" (6mm)

x x x

6X

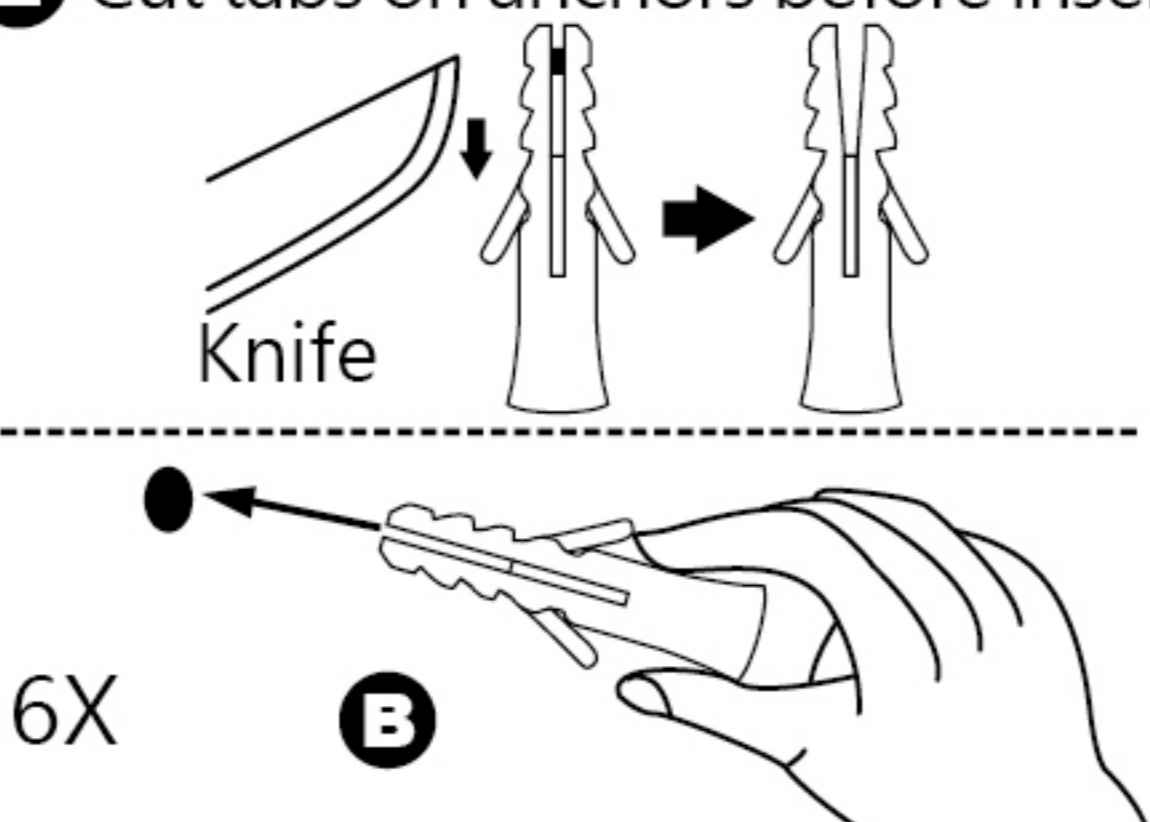
x x x



2 Cut tabs on anchors before insert

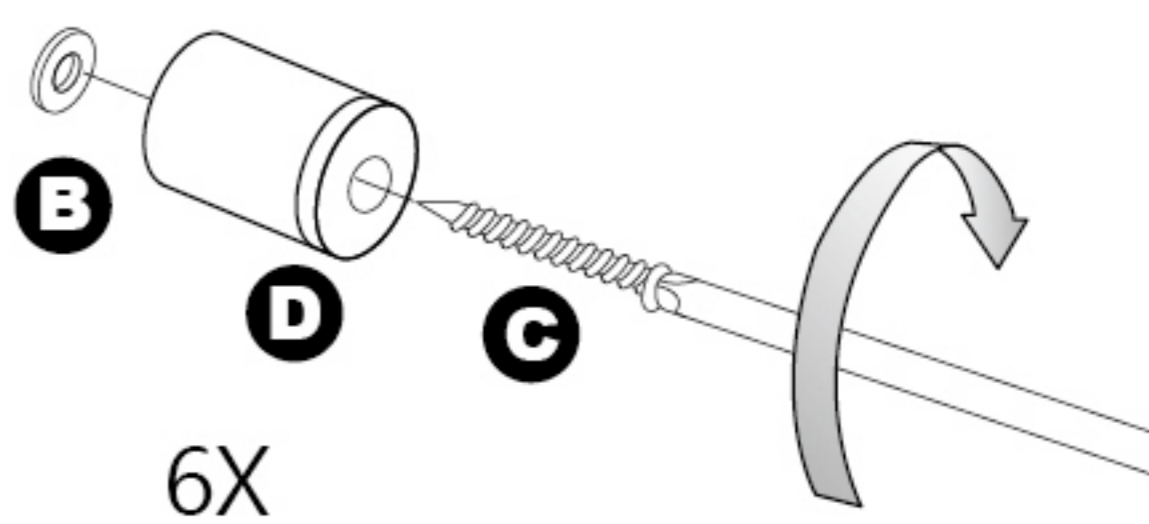
Knife

6X **B**



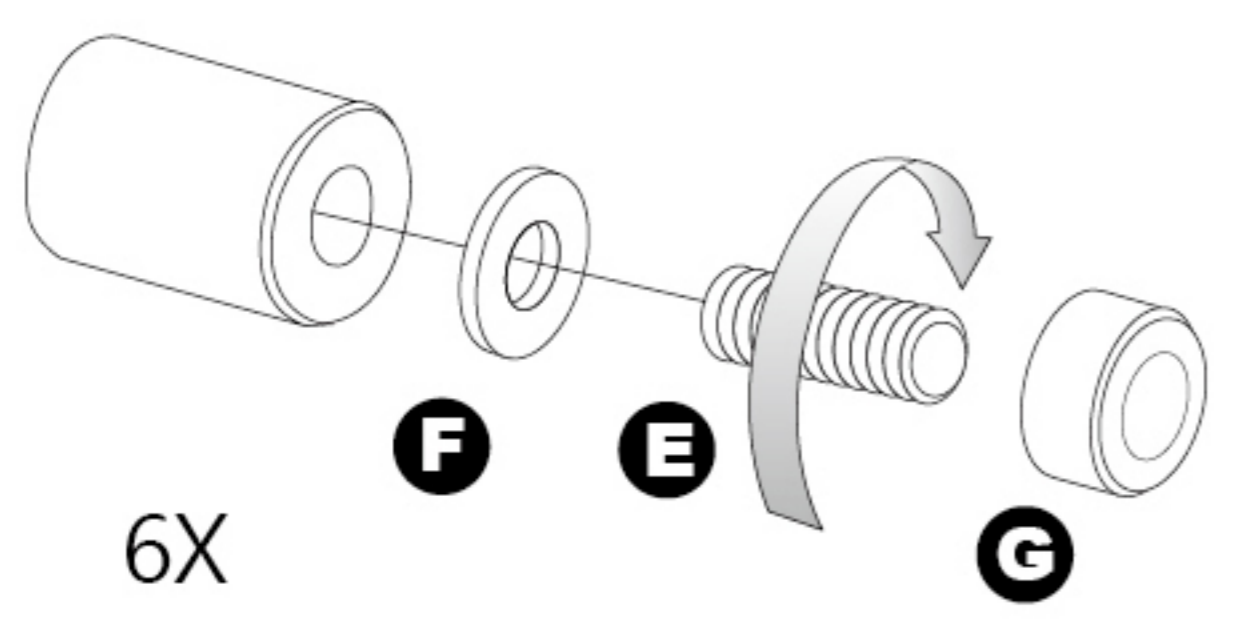
3

6X



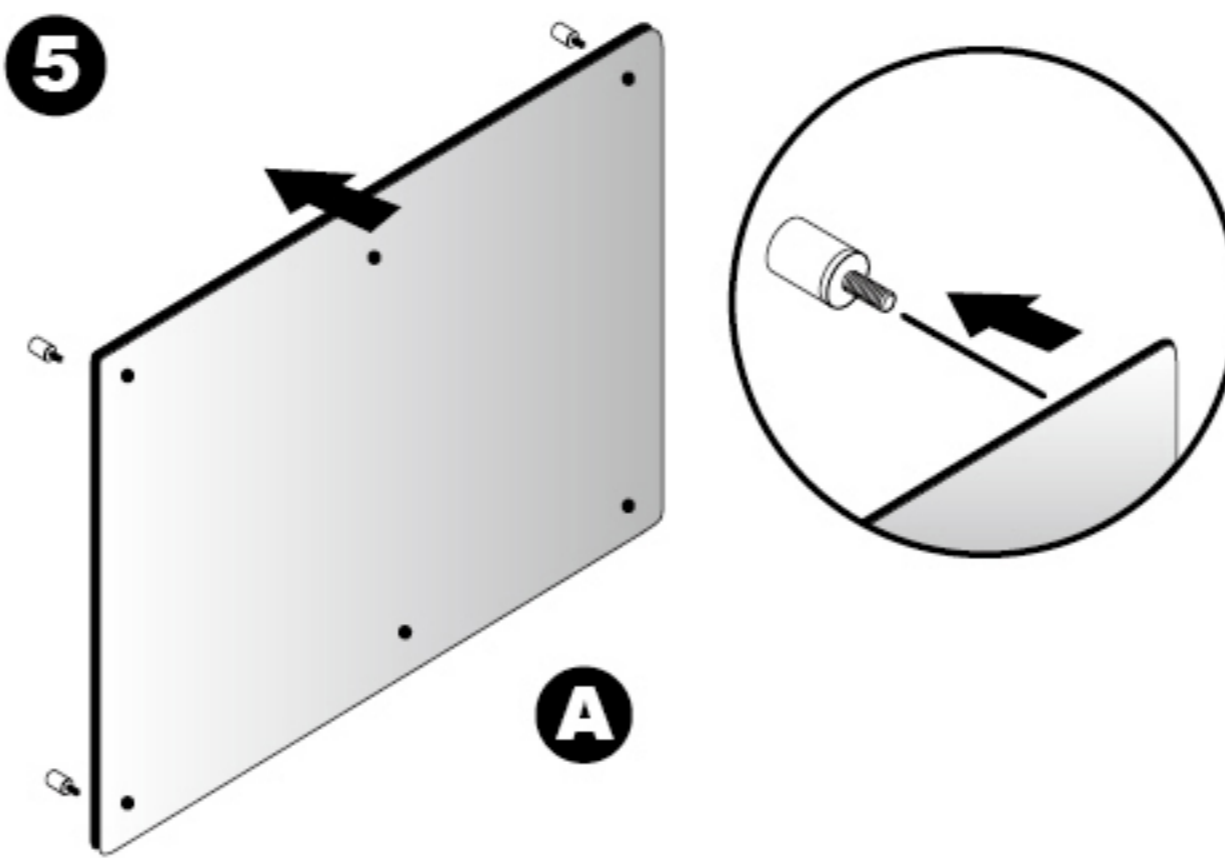
4

6X



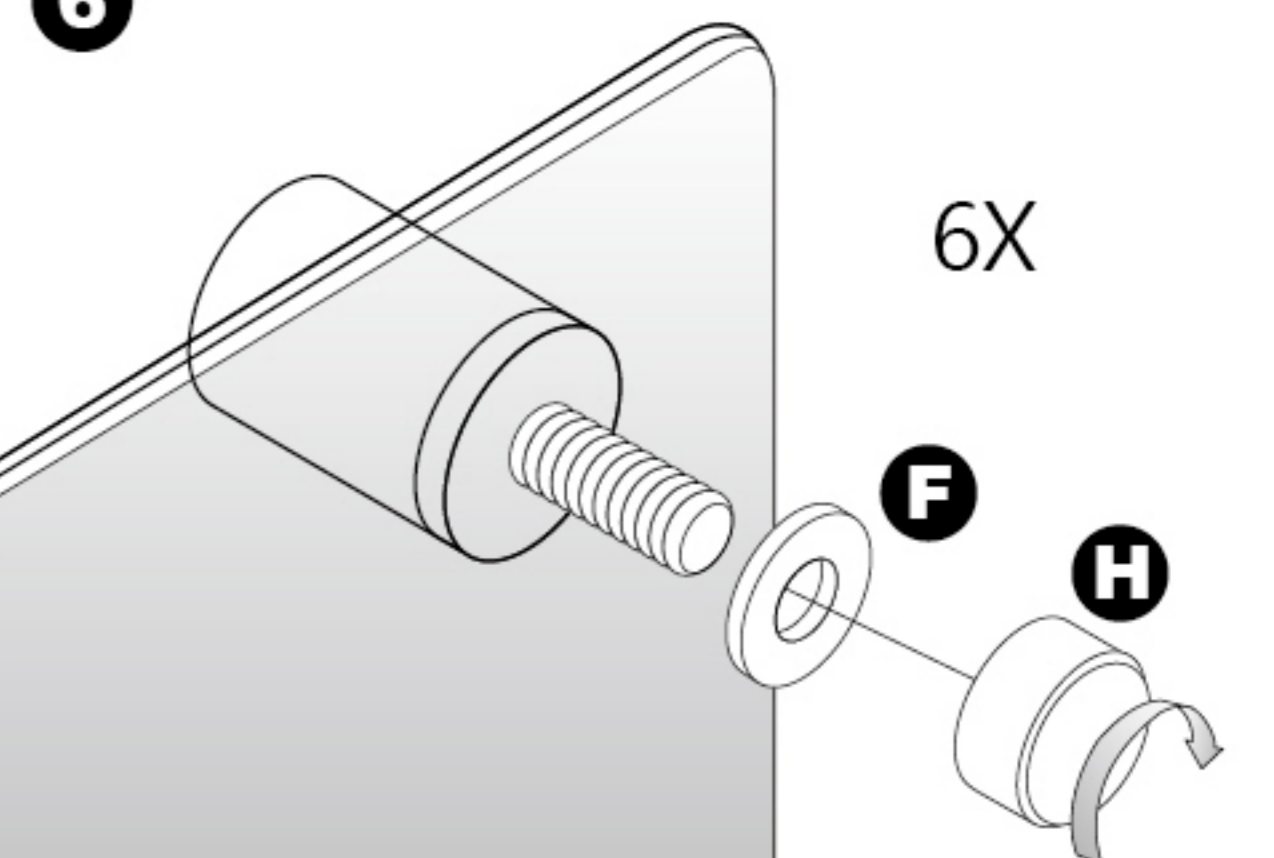
5

A

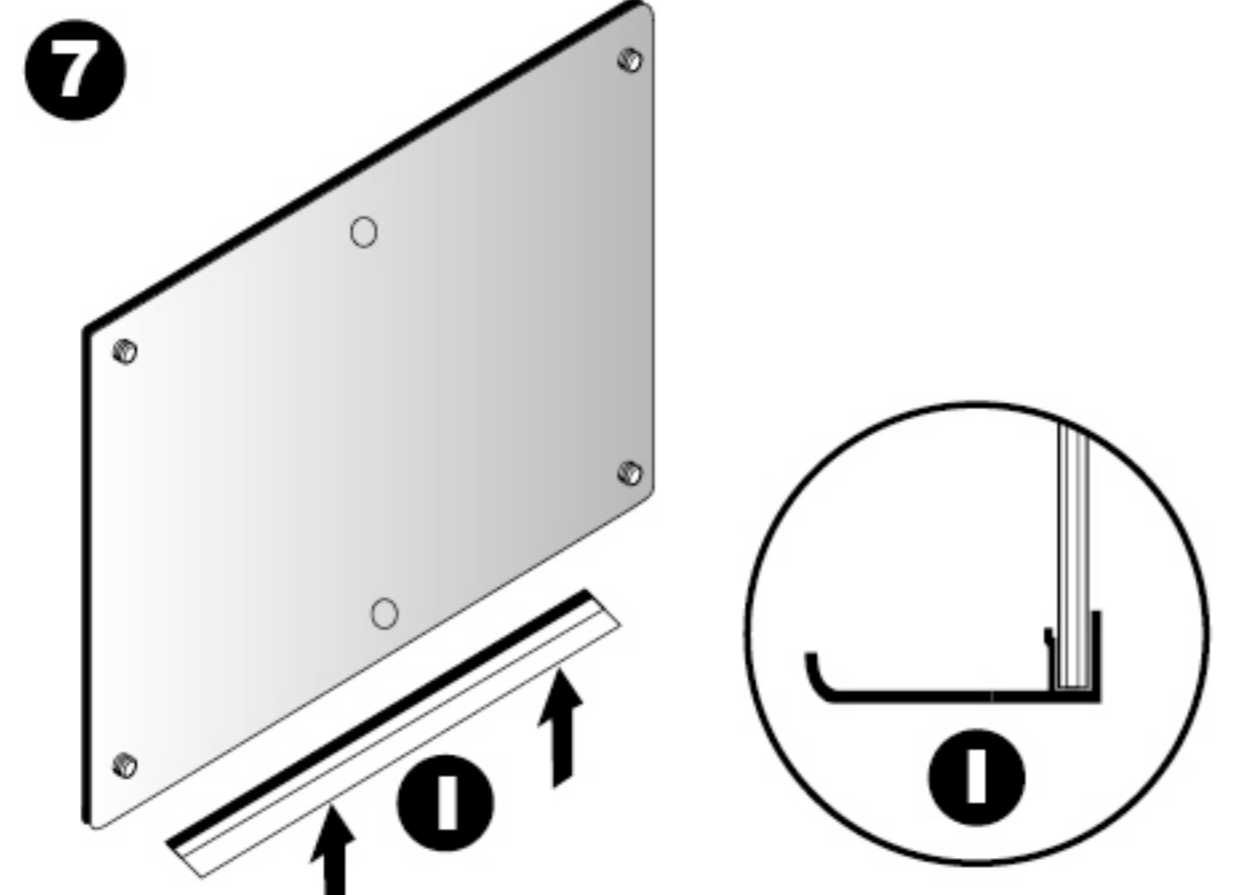


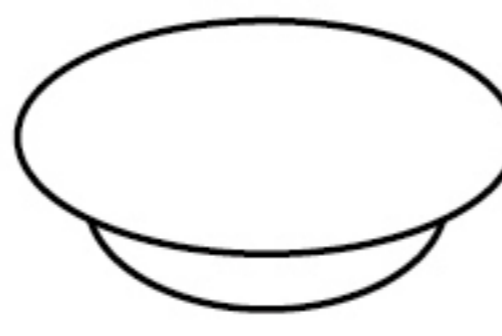
6

6X



7





magnets

X4

(ϕ 30mm) *Size tolerance is +/-2MM